

WAFER ELECTROMAGNETIC FLOW METER



New High-tech
Enterprise



CE



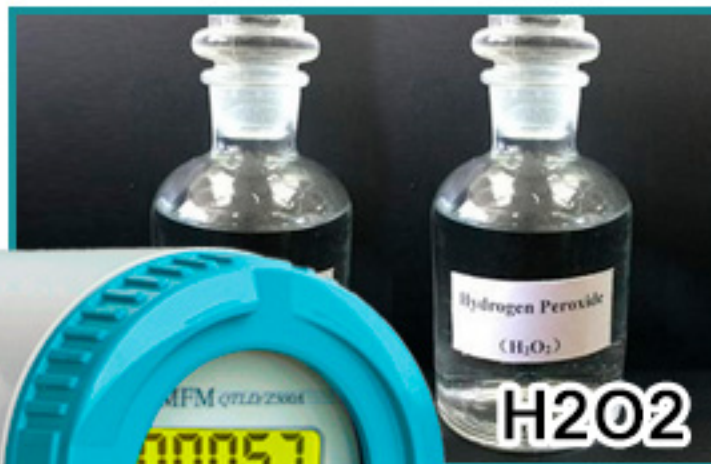
ATEX



ISO

APPLICATIONS

- Widely used in conductive liquid such as raw water, waste water, acid, alkali, H₂O₂, irrigation, etc.



PRODUCT FEATURES

01

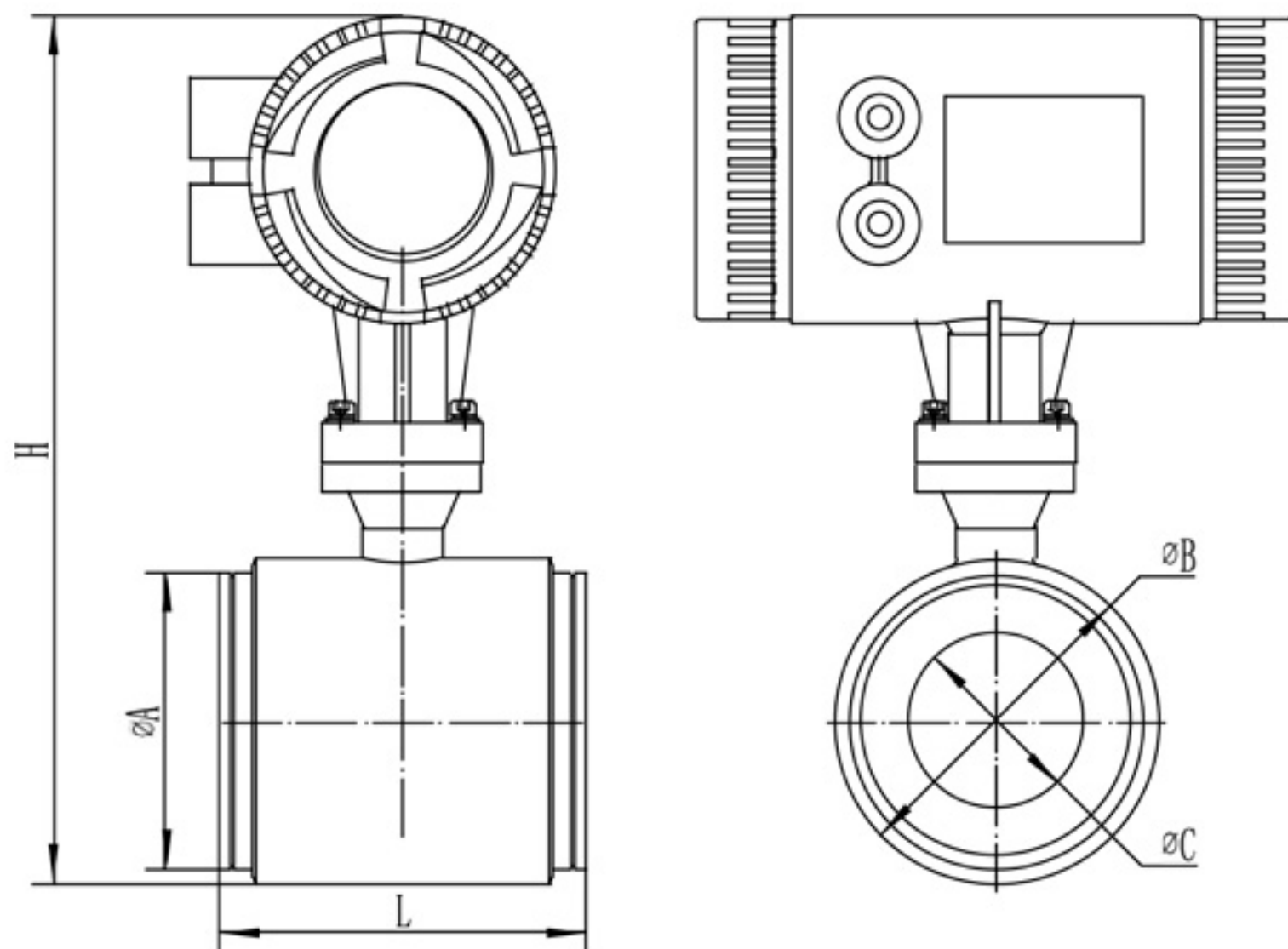
Adapts to all flange standards

Flange Standards: DIN, ANSI, JIS, etc.



02

Light weight saves freight cost



Diameter	ϕA (mm)	ϕB (mm)	ϕC (mm)	H(mm)	L(mm)
DN25	60.5	68	22	295	100
DN32	68.5	76	30	303	100
DN40	74.5	89	36	316	100
DN50	90.8	102	48	329	100
DN65	109.8	119.5	64	346.5	150
DN80	120.7	133	77	360	150
DN100	150.2	159	102	386	150
DN125	174.8	190	121	417	200
DN150	204.7	219	147	446	200
DN200	257.8	273	207	500	200

03

Install in Narrow Place Easily



04

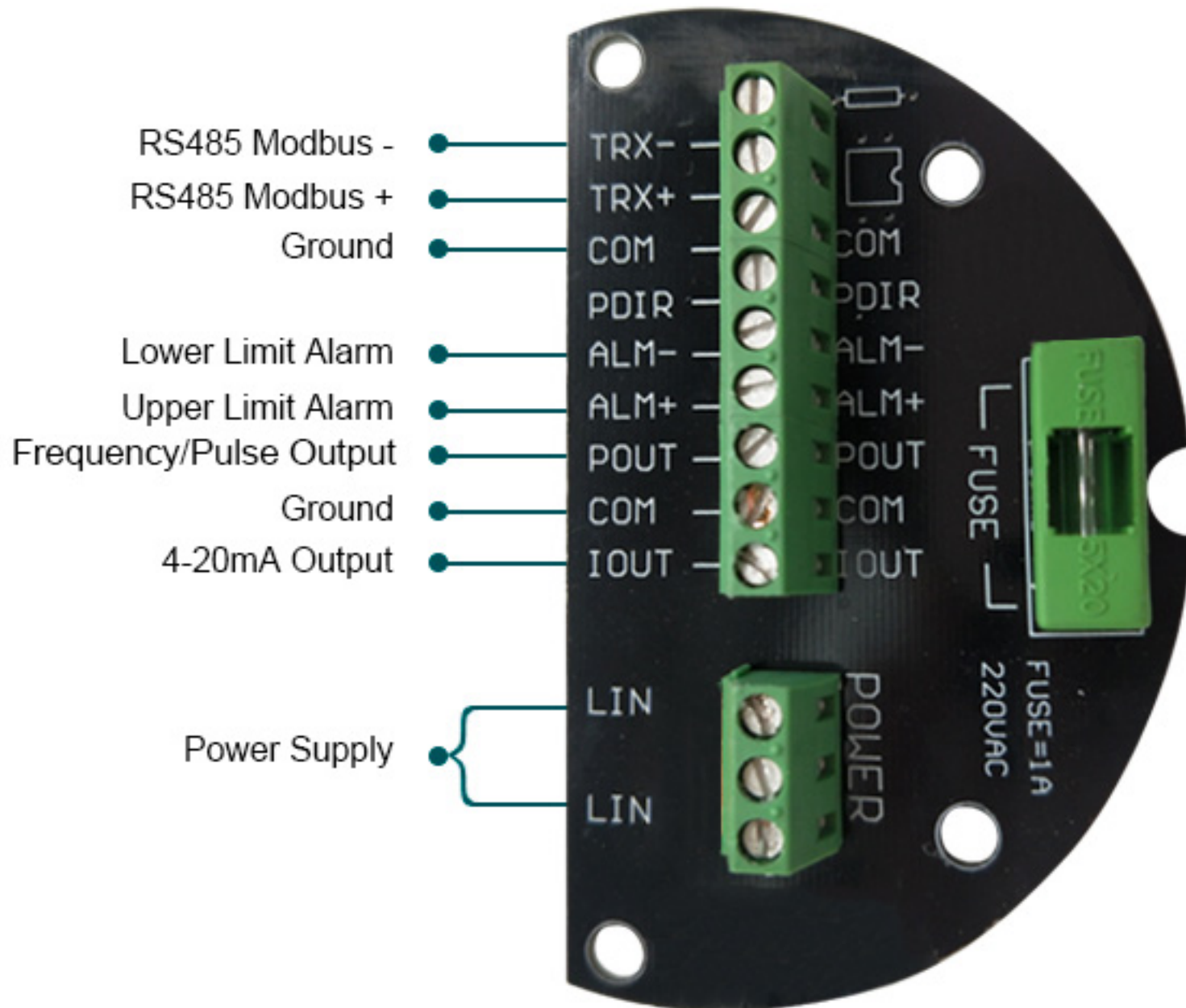
LCD Display

English, Spanish, Italian (Optional)



05

Multiple Outputs



06

Bi-Directional Measurement



07

Self Diagnosis

Upper Alarm, Lower Alarm, Liquid Alarm, System Alarm





01

Short sensor suitable for narrow place

02

Grounding well, no need grounding electrode

03

Different electrodes and liner for different workplace



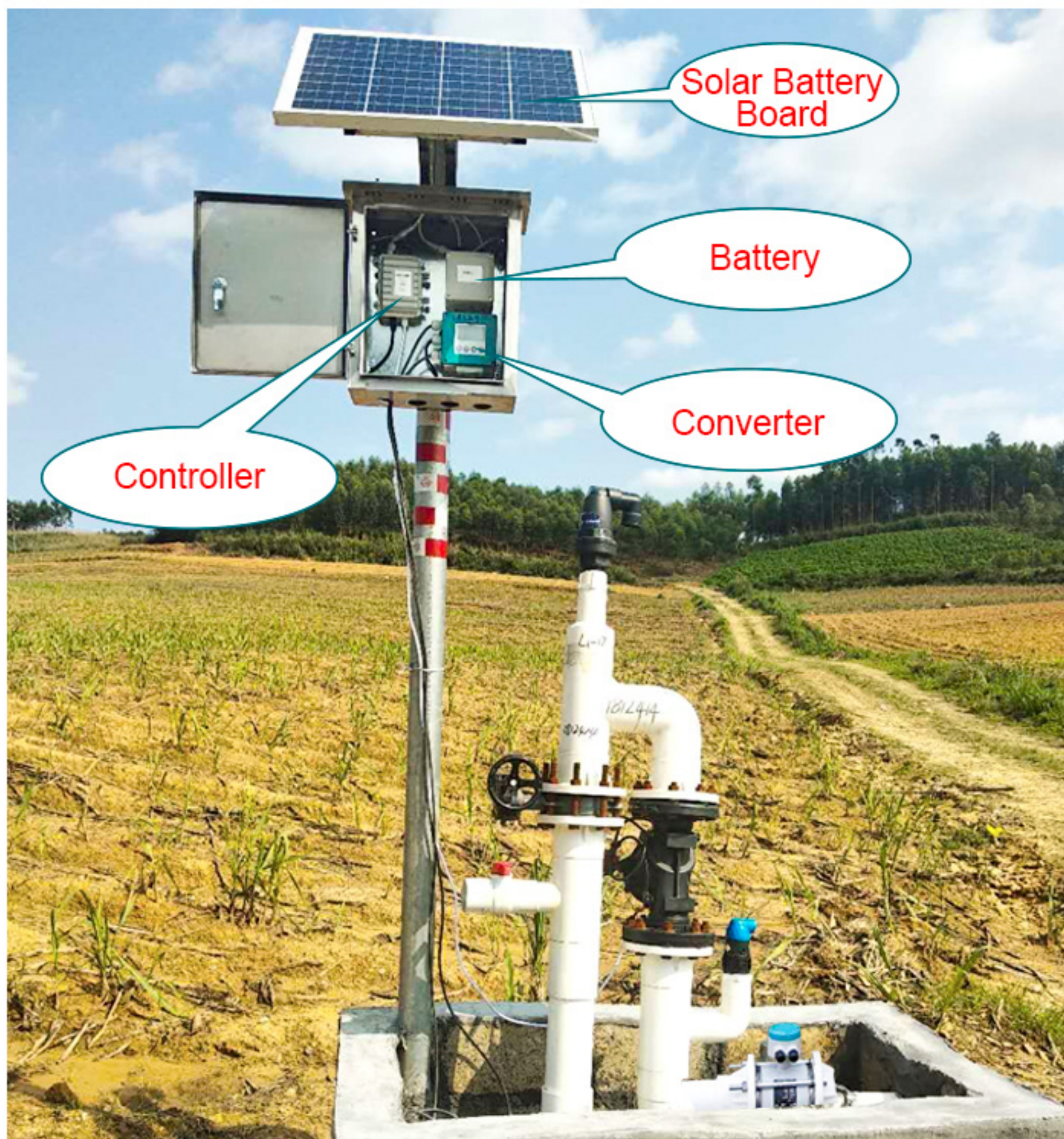
- $\cong 3\text{mm}$ thickness liner, long service life.
- Anti-falling, anti-flanging, leak-proof, safe and reliable.

01 Infrared Touch Screen

02 32G SD Card

03 Temperature / Pressure Display

04 Solar Power Supply



Solar power supply ensures that the flow meter can work well in farmland, river side and other places

ENVIRONMENTAL TEST

High & low temperature test, different humidity test ,
Make sure instruments can resist any harsh environment



MORE PRODUCTS



CALIBRATION



DN15-50 Gravimetric & Standard Meter Liquid Flow Meter Calibration Device



DN65-DN300 Gravimetric & Standard Meter Liquid Flow Meter Calibration Device

PARAMETER

Main Performances Parameters

Size	DN25mm-DN200mm
Nominal Pressure	1.6Mpa
Accuracy	±0.5%(Standard) ±0.3% or ±0.2%(Optional)
Liner	PTFE, FEP, PFA
Electrode	SUS316L, Hastelloy B, Hastelloy C, Titanium, Tantalum, Platinum-iridium
Structure Type	Integral type, remote type, submersible type, ex-proof type
Medium Temperature	-20~+60degC(Integral type) Remote type(PTFE/PFA/FEP) -10~+160degC
Ambient Temperature	-20~+60degC
Ambient Humidity	5~90%RH(relative humidity)
Measuring Range	Max 15m/s
Conductivity	>5us/cm
Protection Class	IP65(Standard); IP68(Optional for remote type)
Output Signal	4-20mA pulse relay
Communication	MODBUS RTU RS485, HART(Optional), GPRS/GSM(Optional)
Power Supply	AC220V(Can be used for AC85-250V) DC24V(Can be used for DC20-36V) DC12V(Optional),Battery Powered 3.6V(Optional)
Power Consumption	<20W
Explosion Proof	ATEX ExdII T6Gb

Electrode Performance

Electrode material	Applications
SUS316L	Applicable in water, sewage and low corrosive mediums. Widely used in industries of petrol, chemistry, carbamide,etc
Hastelloy B	Having strong resistance to hydrochloric acid of any consistence which is below boiling point. Resistable against vitriol, phosphate, hydrofluoricacid, organic acid etc which are oxidable acid, alkali and non-oxidable salt.
Hastelloy C	Be resistant to oxidable acid such as nitric acid, mixed acid as well as oxidable salt such as Fe ⁺⁺⁺ , Cu ⁺⁺ and sea water.
Titanium	Applicable in seawater, and kinds of chloride, hypochlorite salt, oxidable acid (including fuming nitric acid), organic acid, alkali etc. Not resistant to a pure reducing acid(such as sulphuric acid, hydrochloric acid corrosion. But if acid contains antioxidant(such as Fe ⁺⁺⁺ , Cu ⁺⁺) is greatly reduce corrosion.
Tantalum	Having strong resistance to corrosive mediums that is similar with glass. Almost is applicable to all chemical mediums. Except for hydrofluoric acid,oleum and alkali.
Platinum-iridium	Almost be applicable in all chemical mediums except for ammonium salt.

Velocity-Flow Range Table

Size (mm)	Flow Range & Velocity Table							
	0.1m/s	0.2m/s	0.5m/s	1m/s	4m/s	10m/s	12m/s	15m/s
25	0.177	0.353	0.883	1.766	7.065	17.663	21.2	26.494
32	0.289	0.579	1.447	2.894	11.575	28.938	34.73	43.407
40	0.452	0.904	2.261	4.522	18.086	45.216	54.26	67.824
50	0.707	1.413	3.533	7.065	28.260	70.650	84.78	105.98
65	1.19	2.39	5.97	11.94	47.76	119.40	143.3	179.10
80	1.81	3.62	9.04	18.09	72.35	180.86	217.0	271.30
100	2.83	5.65	14.13	28.26	113.04	282.60	339.1	423.90
125	4.42	8.83	22.08	44.16	176.63	441.56	529.9	662.34
150	6.36	12.72	31.79	63.59	254.34	635.85	763.0	953.78
200	11.3	22.61	56.52	113.04	452.16	1130.40	1356	1696

Suggest Velocity: 0.5m/s - 15m/s

Model Select

		selection								
QTLD		XXX	X	X	X	X	X	X	X	X
Caliber	DN25-DN200 3-digital code seeing caliber code table 13	1								
Nominal Pressure	1.6Mpa	1								
Connection mode	Clamp connection		1							
Liner material	PTFE				1					
	FEP				2					
	PFA				3					
Electrode material	316L				1					
	Hastelloy B				2					
	Hastelloy C				3					
	Titanium				4					
	Platinum-iridium				5					
	Tantalum				6					
	Stainless steel covered with tungsten carbide				7					
Structure type	Integral type					1				
	Remote type					2				
	Remote type immerse					3				
	Integral type Ex-proof					4				
	Remote type Ex-proof					5				
Power	220VAC							E		
	24VDC							G		
output communication	Flow volume 4-20mADC/pulse								A	
	Flow volume 4-20mADC/RS232 communication								B	
	Flow volume 4-20mADC/RS485 communication								C	
	Flow volume HART output/with communication								D	
Converter figure	Square									A
	Circular									B

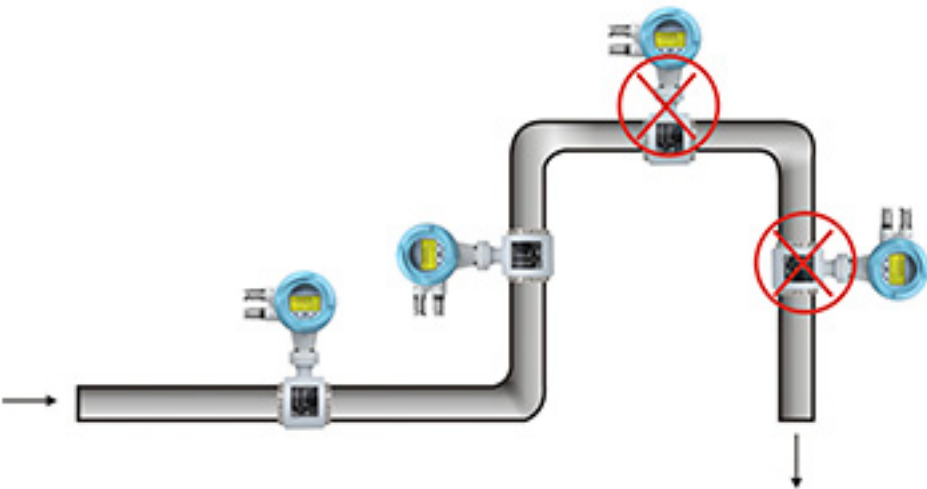
Optional Selection

X	
1	Grounding electrode
2	Coupled flange
3	Entrance protection flange
4	Scraper type electrode
5	Other

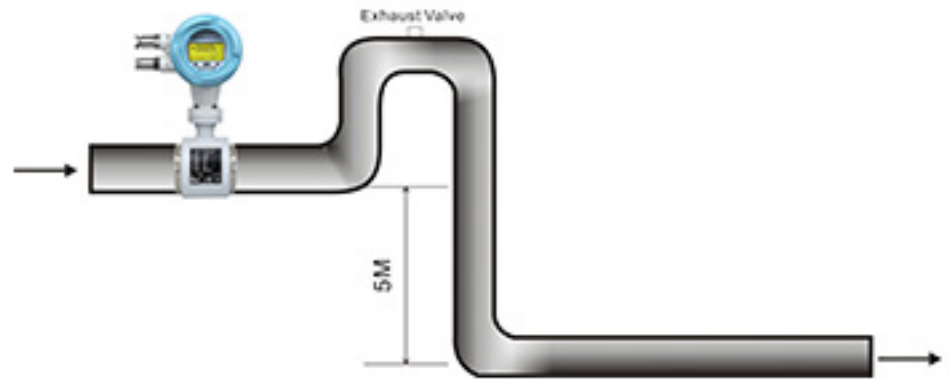
Table 13
Caliber Code Table

Caliber	Code
25	250
32	320
40	400
50	500
65	650
80	800
100	101
125	125
150	151
200	201

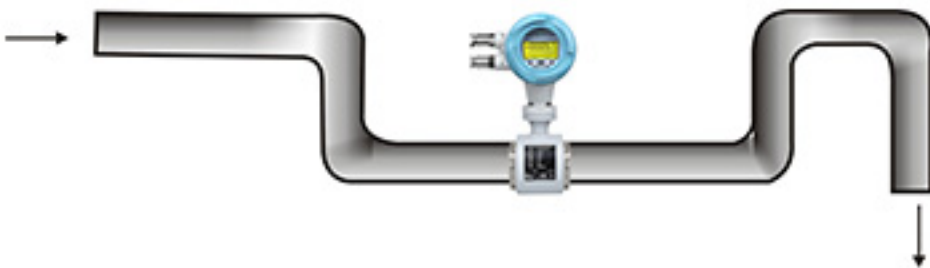
Installation



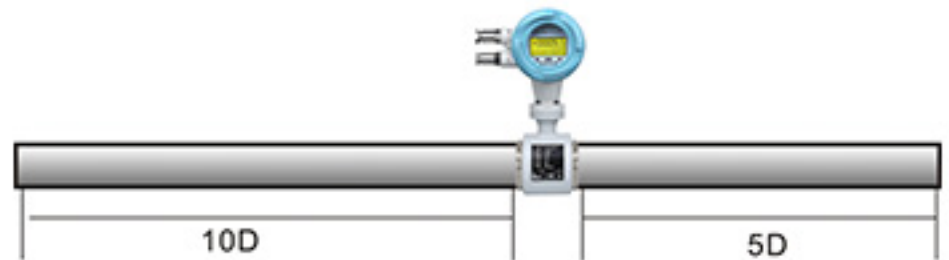
Install at the lowest point and vertical upward direction



When drop is more than 5m, install exhaust valve at the downstream



Install at the lowest point when used in open drain pipe



Need 10D of upstream and 5D of downstream




Don't install it at the entrance of pump, install it at the exit of pump




Install at the rising direction

CERTIFICATE



**ENERGY
PETROLEUM
INSTITUTE**



EU-Type Examination Certificate

(2) **Equipment or Protective Systems Intended for use in Potentially Explosive Atmospheres**
Directive 2014/34/EU

(3) EU - Type Examination Certificate Number: **IEP 18 ATEX 608**

(4) Product: **QTLD-N type, Electromagnetic Flowmeter** Mark: **Q&T**

(5) Firm Name: **Kaifeng Qingtianweiyue Flow Instrument Co., Ltd.**

(6) Firm Address: **No.1 Wangbai Road, Huanglong Industry Park, Kaifeng, Henan, CHINA**

(7) This product and any acceptable variations thereto is specified in the schedule to this certificate and the documents there is referred to.


(8) The IEP Uluslararası Enerji Petrol Gazları, Sertifikasyon ve Teknik Hizmetler Organizasyonu Tic. Ltd. Sti., notified body number 2284 in accordance with Article 17 of the Directive 2014/34/EU of European Parliament and of the Council, dated 26 February 2014, certifies that this product has been found to comply with the Essential Health and Safety Requirements relating to the design and construction of products intended for use in potentially explosive atmospheres, given in Annex II to the Directive. The examination and test results are recorded in confidential Report No: IEP/Rp.Ex.18-1300 date 02.07.2018.

(9) Compliance with Essential Health and safety requirements has been assured by compliance with ;
EN 60079-0 : 2013 , EN 60079-1 : 2014

(10) If the sign "X" is placed after the certificate number, it indicates that the product is subject to Specified Conditions for Safe Use specified in the schedule to this certificate.


(11) This EU-Type Examination Certificate relates only to the design and construction of the specified product in accordance to the directive 2014/34/EU. Further requirements of the directive apply to the manufacturing process and supply of this product. Those are not covered by this certificate.

(12) The marking of the equipment or protective system shall include the following:


II G Ex db IIB T6 Gb

Responsible Person :
Nuryilm Terzioğlu
Head of Certification Body

Date of Issue : **01.08.2018**



IEP Uluslararası Enerji Petrol Gazları, Sertifikasyon ve Teknik Hizmetler Org. Tic. Ltd. Sti.
37463 Sok. No:9 A, Zilberova - ÜSKÜDAR / TÜRKİYE
Tel: +90 212 431 17 43-44 Fax: +90 212 431 17 30 E-mail: info@iep.com.tr / tr 43
This certificate is granted subject to the general conditions of the IEP Energy Petroleum Institute. This certificate may only be reproduced in its entirety and without any change, schedule included. You can check accuracy of this document by www.iep.com.tr
Page 11/1



Safenet Limited
Denford Garage, Denford, Kettering, Northants, NN14 4EQ, U.K.
Tel: +44 1532 732 174 email: info@safenet.co.uk Website: www.safenet.co.uk

Certificate of Conformity

This is to certify that

Kaifeng Qingtianweiyue Flow Instrument Co., Ltd.
No. 1 Wangbai Road, HuangLong Industry Park, Kaifeng, Henan, China

Has had a range of Electromagnetic Flowmeters examined with regards to the Low Voltage Directive 2014/35/EU.

With reference to model **QTLD**

Manufactured by:
Kaifeng Qingtianweiyue Flow Instrument Co., Ltd.
No. 1 Wangbai Road, HuangLong Industry Park, Kaifeng, Henan, China

1. The technical documentation supplied contains all the relevant information.
2. Having verified that the appropriate tests have been conducted, with regard to the QTLD representing the range.
 - 2.1. The example has been manufactured in accordance with the technical documentation and may be used under the intended conditions.
 - 2.2. The standards and transposed standards as the case may be, have been applied correctly.
 - 2.3. The example has conformity with the Principle Elements of Safety Objectives of the Low Voltage Directive, 2014/35/EU.
 - 2.4. The report, LCS1002002025, shows compliance to EN 61010-1:2010 which is harmonised under the Low Voltage Directive, 2014/35/EU.
 - 2.5. The technical documentation supplied contains all the information required to include the following models QTLD, QTLD/C, QTLD/D, QTLD/G, QTLD/S, MGG14C and MGH14C.
 - 2.6. The review date for this certificate is 03/03/2020.

Certificate Number: **6023120716**
Date: **18/07/2016**

Signed for Safenet Limited




Peter McNicol
Technical Manager


This Document remains the property of Safenet Ltd and will be returned to them if so requested. Safenet will ensure the continued compliance of the machinery on a 5 yearly cycle to check for changes in the state of the art.

QTLD Series Electromagnetic Flow Meter Ex-proof

QTLD Series Electromagnetic Flow Meter CE



Enterprise Certificates

A 3D illustration of a person climbing a large, stylized letter 'A'. The person is positioned on the right side of the 'A', reaching up towards the top of the letter. The 'A' is composed of thick, rounded lines and has a blue glow. The background is a solid blue color.

Q: Are you a factory or a trading company?

A: We are a factory in Kaifeng city, China.
24 hours production visualization services

Q: How about the delivery time?

A: 2-4 working days for standard products
Big order or special products please check with us

Q: How about the quality?

A: Our products have 2 years warranty
Goods can be returned or replaced in case of quality problems

Q: Do you provide OEM/ODM service?

A: Yes, we do OEM/ODM business
Confidentiality agreement takes effect for both buyer and seller